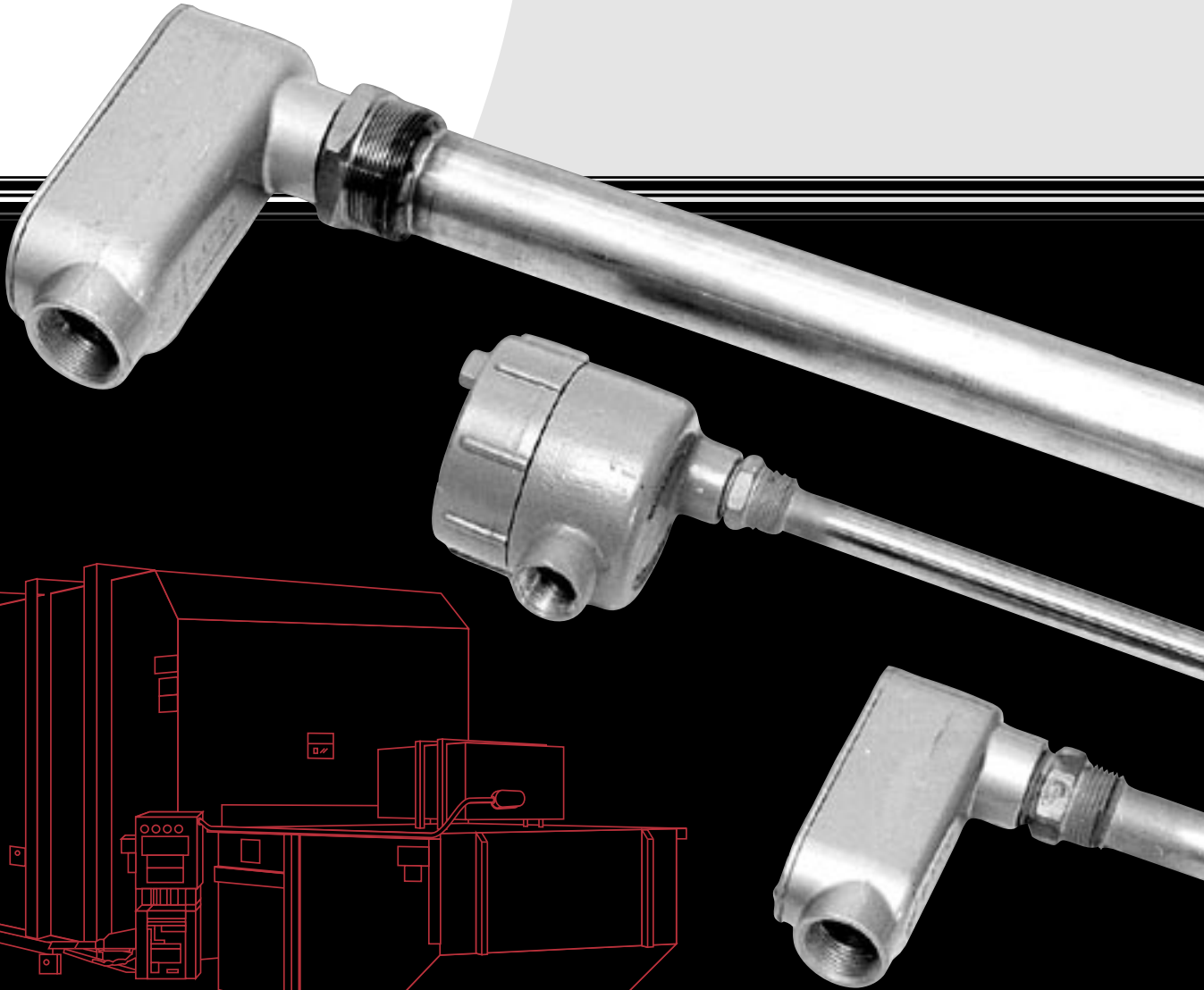


**ETS**

**Equipment  
Company**

**Energy  
Tubes**  
IMMERSION HEATERS

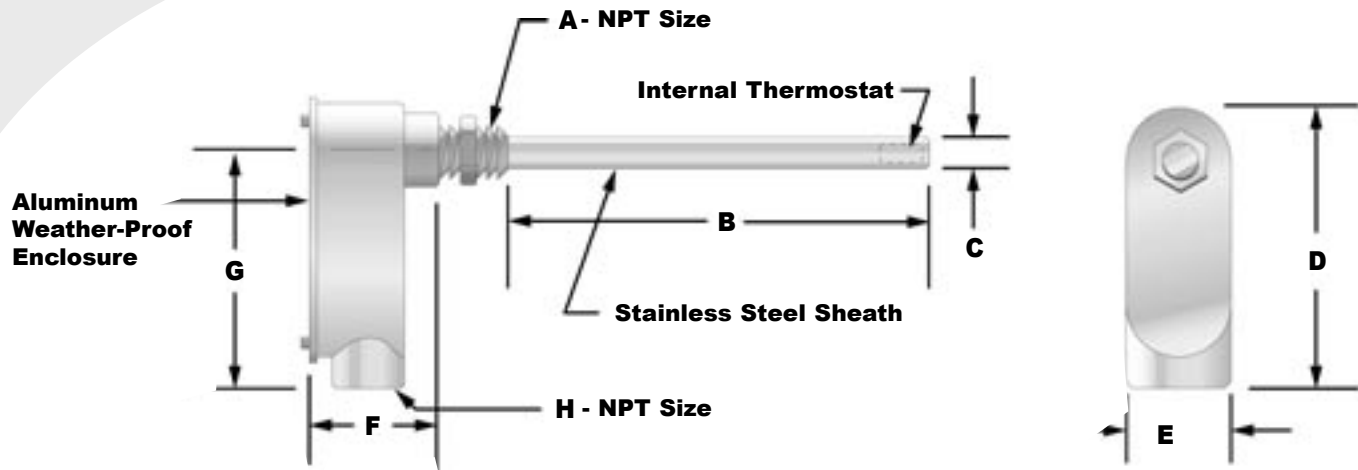


## Features:

- Keeps oil at 70° to 80° F.
- Built-in fixed setting thermostat.
- UL recognized & CSA certified.
- CE Mark available upon request.
- Weatherproof wiring enclosure.
- Next day delivery available.

ETS Equipment Company, 408 Plainfield Rd., Darien, IL 60561-4208

800.822.8892 • 630.655.1487 • Fax: 630.655.1527 • <http://www.etsequipment.com> • [sales@etsequipment.com](mailto:sales@etsequipment.com)



### Additional Notes

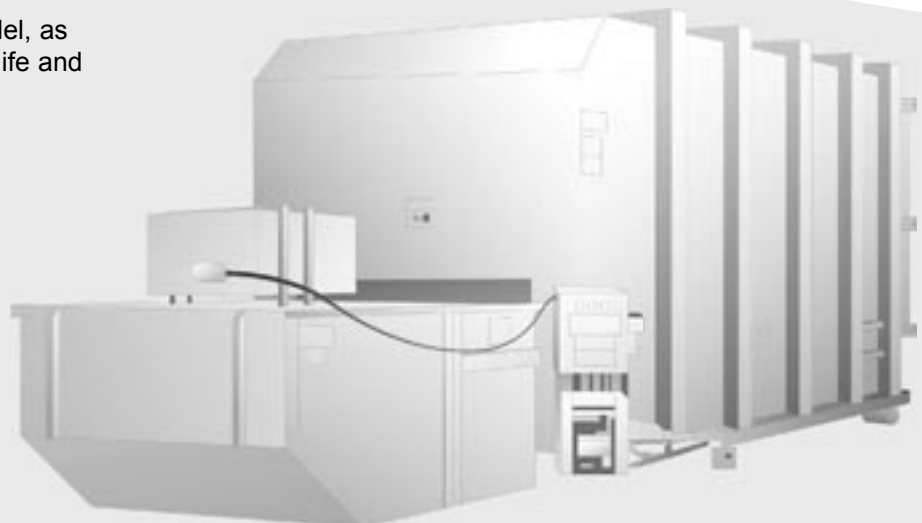
The EnergyTube immersion heaters are primarily used to heat oil. They may also be utilized in water and other solutions. Consult with us to see if the EnergyTube is suitable for your application.

- 3 phase available on ET8 models.  
*Add -3 to model no. (i.e., ET8-2502-3)*
- Tanks larger than 500 Gals use multiple heaters.
- Amps = Watts ÷ Volts for single phase.
- Amps = Watts ÷ (Volts X 1.73) for three phase.
- Heaters should be mounted horizontally.
- Do not mount from the top down.
- Heaters must be fully immersed at all times.
- Explosion proof models available - add suffix XP
- 480 Volt and 3 phase heaters must be used with contactor - see instruction sheet.
- Custom Units Available.

### Watt Density Chart

Machine Oil SAE 30	- 15 W/in <sup>2</sup>
Mineral Oil	- 15 W/in <sup>2</sup>
Hydraulic Oils	- 15 to 22 W/in <sup>2</sup>
Water	- 22 W/in <sup>2</sup>

Always use the lowest watt density model, as sizing permits, to promote long service life and minimum oil degradation.



## 8 Watts / in<sup>2</sup> Heat Density (12 Volt) - No Internal Thermostat

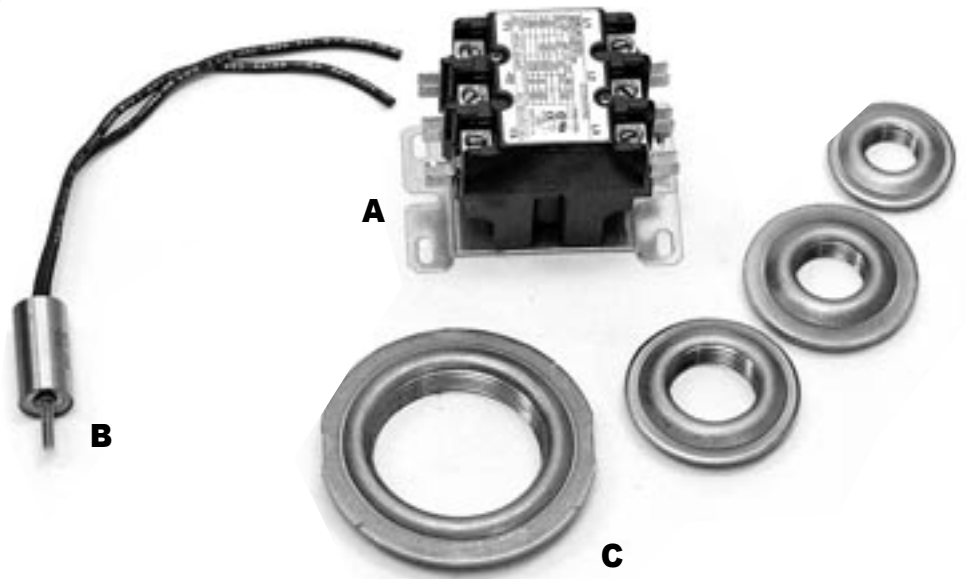
Model #	Reservoir Size (Gals)	Watts	Volts	Phase	NPT								NPT H
					A	B	C	D	E	F	G		
EM6-9-010	Up to 12	120	12	1	1/2	8 1/2	5/8	5 3/4	1 3/4	3	4 3/4	1/2	

## 15 Watts / in<sup>2</sup> Heat Density

ET2L-121	Up to 12	125	120	1	1/2	6 3/8	5/8	5 3/4	1 3/4	3	4 3/4	1/2
ET2L-251	Up to 25	250	120	1	1/2	10 1/2	5/8	5 3/4	1 3/4	3	4 3/4	1/2
ET2L-252	Up to 25	250	240	1	1/2	10 1/2	5/8	5 3/4	1 3/4	3	4 3/4	1/2
ET3L-501	25 - 50	500	120	1	3/4	17	3/4	5 3/4	1 3/4	3	4 3/4	1/2
ET3L-502	25 - 50	500	240	1	3/4	17	3/4	5 3/4	1 3/4	3	4 3/4	1/2
ET3L-504	25 - 50	500	480	1	3/4	17	3/4	5 3/4	1 3/4	3	4 3/4	1/2
ET3L-1001	50 - 100	1000	120	1	3/4	31	3/4	5 3/4	1 3/4	3	4 3/4	1/2
ET3L-1002	50 - 100	1000	240	1	3/4	31	3/4	5 3/4	1 3/4	3	4 3/4	1/2
ET3L-1004	50 - 100	1000	480	1	3/4	31	3/4	5 3/4	1 3/4	3	4 3/4	1/2
ET4L-501	25 - 50	500	120	1	1	12 1/4	1	5 3/4	1 3/4	3	4 3/4	1/2
ET4L-502	25 - 50	500	240	1	1	12 1/4	1	5 3/4	1 3/4	3	4 3/4	1/2
ET4L-504	25 - 50	500	480	1	1	12 1/4	1	5 3/4	1 3/4	3	4 3/4	1/2
ET4L-1001	50 - 100	1000	120	1	1	22 3/4	1	5 3/4	1 3/4	3	4 3/4	1/2
ET4L-1002	50 - 100	1000	240	1	1	22 3/4	1	5 3/4	1 3/4	3	4 3/4	1/2
ET4L-1004	50 - 100	1000	480	1	1	22 3/4	1	5 3/4	1 3/4	3	4 3/4	1/2
ET5L-505	25 - 50	500	575	1	1 1/4	10 1/2	1 1/4	7 3/4	2 3/8	3 3/4	6	1 1/4
ET5L-1005	50 - 100	1000	575	1	1 1/4	19	1 1/4	7 3/4	2 3/8	3 3/4	6	1 1/4
ET8L-3002	100 - 300	3000	240	1 or 3	2	36	1 7/8	7 3/4	2 3/8	3 3/4	6	1 1/4
ET8L-3004	100 - 300	3000	480	1 or 3	2	36	1 7/8	7 3/4	2 3/8	3 3/4	6	1 1/4

## 22 Watts / in<sup>2</sup> Heat Density

ET1-121	Up to 12	120	120	1	3/8	5 1/2	1/2	4 3/8	1 5/16	2 3/8	3 5/8	1/2
ET2-251	Up to 25	250	120	1	1/2	7 1/2	5/8	5 3/4	1 3/4	3	4 3/4	1/2
ET2-252	Up to 25	250	240	1	1/2	7 1/2	5/8	5 3/4	1 3/4	3	4 3/4	1/2
ET3-501	25 - 50	500	120	1	3/4	12	3/4	5 3/4	1 3/4	3	4 3/4	1/2
ET3-502	25 - 50	500	240	1	3/4	12	3/4	5 3/4	1 3/4	3	4 3/4	1/2
ET3-504	25 - 50	500	480	1	3/4	12	3/4	5 3/4	1 3/4	3	4 3/4	1/2
ET3-1001	50 - 100	1000	120	1	3/4	22	3/4	5 3/4	1 3/4	3	4 3/4	1/2
ET3-1002	50 - 100	1000	240	1	3/4	22	3/4	5 3/4	1 3/4	3	4 3/4	1/2
ET3-1004	50 - 100	1000	480	1	3/4	22	3/4	5 3/4	1 3/4	3	4 3/4	1/2
ET4-501	25 - 50	500	120	1	1	9 1/4	1	5 3/4	1 3/4	3	4 3/4	1/2
ET4-502	25 - 50	500	240	1	1	9 1/4	1	5 3/4	1 3/4	3	4 3/4	1/2
ET4-504	25 - 50	500	480	1	1	9 1/4	1	5 3/4	1 3/4	3	4 3/4	1/2
ET4-1001	50 - 100	1000	120	1	1	17 1/4	1	5 3/4	1 3/4	3	4 3/4	1/2
ET4-1002	50 - 100	1000	240	1	1	17 1/4	1	5 3/4	1 3/4	3	4 3/4	1/2
ET4-1004	50 - 100	1000	480	1	1	17 1/4	1	5 3/4	1 3/4	3	4 3/4	1/2
ET8-2502	100 - 250	2500	240	1 or 3	2	23	1 7/8	7 3/4	2 3/8	3 3/4	6	1 1/4
ET8-2504	100 - 250	2500	480	1 or 3	2	23	1 7/8	7 3/4	2 3/8	3 3/4	6	1 1/4
ET8-5002	250 - 500	5000	240	1 or 3	2	44	1 7/8	7 3/4	2 3/8	3 3/4	6	1 1/4
ET8-5004	250 - 500	5000	480	1 or 3	2	44	1 7/8	7 3/4	2 3/8	3 3/4	6	1 1/4



### Accessories

- A** 3100-1 Contactor, 3 Pole, 30A, 120 VAC Coil  
3100-2 Contactor, 3 Pole, 30A, 240 VAC Coil
- B** T-60 Ambient Thermostat  
- Open at 60F/Close at 40F - 10A / 240VAC Max.  
T-85 Ambient Thermostat  
- Open at 85F/Close at 60F - 10A / 240VAC Max.
- C** FS050 Steel Welding Flange - 1/2" NPT  
FS075 Steel Welding Flange - 3/4" NPT  
FS100 Steel Welding Flange - 1" NPT  
FS125 Steel Welding Flange - 1 1/4" NPT  
FS200 Steel Welding Flange - 2" NPT

### About Us

Since 1959, ETS Equipment Company has addressed industry's need for reliable heating and control products.

We offer on-site consulting, application engineering, standard and custom design services and stocking programs at competitive prices.

For service, quality and a long-standing reputation for customer satisfaction, call ETS Equipment Company.