

# Phase Angle Control to 40A A Series LPC



## FEATURES:

- Suitable for inductive loads
- True linear output phase angle control
- Line voltage compensation
- Selectable Soft Start
- Automatic 50/60Hz operation
- Adjustable voltage limit option Prefix (LPCVL)
- LED input status indicator standard
- Selectable Input
- Relays approved to the following: UL, CSA, VDE and CE
- Solid State Relay Assemblies Rated to 40A/Pole @ 40° C (100% duty cycle)

OUTPUT SPECIFICATIONS	LPC-25DA	LPC-25HDA	LPC-50DA	LPC-50HDA	LPC-90HDA	LPC-690HDA
Operating Voltage (47-63 Hz) [Vrms]	24-280	48-530	24-280	48-530	48-530	48-660
Load Current Range [Arms]	.04-20	.04-20	.04-30	.04-30	.04-40	.04-40
Transient Overvoltage [Vpk]	600	1200	600	1200	1200	1200
Max. Surge Current, (16.6ms) (Apk)	250	250	625	625	1200	1200
Max. On-State Voltage Drop [Vpk]	1.6	1.7	1.6	1.7	1.7	1.7
Max. Turn-on and Turn-off Time	1/2 cycle	1/2 cycle	1/2 cycle	1/2 cycle	1/2 cycle	1/2 cycle
Max. I <sup>2</sup> t for fusing (8.3mS)	260	260	1620	1620	6000	6000
Max. Off-State Leakage Current [mArms]	10	10	10	10	10	5
Power Factor (Min.) with Max. Load	0.5	0.5	0.5	0.5	0.5	0.5

## INPUT SPECIFICATIONS

0-10VDC  
 0-5VDC  
 2-10VDC  
 1-5VDC  
 4-20mA  
 0-20mA  
 Potentiometer  
 0-135Ω (Change prefix to: LPC35-)  
 Pulse Width Modulation (Change prefix to: LPCPW-)

### Note:

24V AC Power Supply  
 on same Phase as controller  
**REQUIRED**

## OPTIONS:

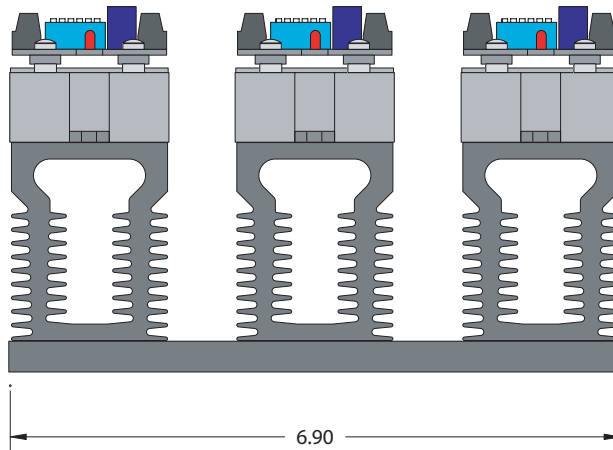
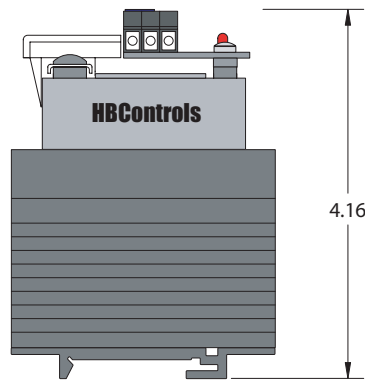
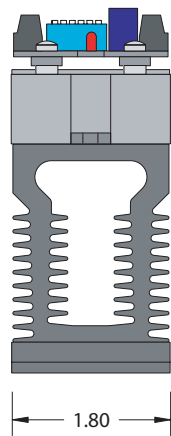
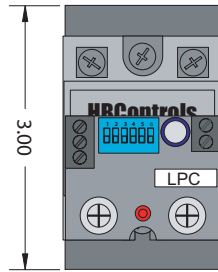
-3 3 Phase / 3 Pole configuration  
 -M MOV - external transient voltage suppression  
 -P Internal transient voltage suppression  
 -TP Through panel-mount  
 -PM Panel Mount  
 -ND No DIN Clip

## ACCESSORIES

PS-120 120V to 24V AC power supply (1.5VA)  
 PS-240 240V to 24V AC power supply (1.5VA)  
 PS-480 480V to 24V AC power supply (1.5VA)

**For 3 Phase version of PS add -3**

# Phase Angle Control to 40A A Series LPC



**3 Phase/  
3 Pole  
(-3 Option)**