



# Phase Angle Control to 100A F Series LPC



## FEATURES:

- Suitable for inductive loads
- True linear output phase angle control
- Line voltage compensation
- Selectable Soft Start
- Automatic 50/60Hz operation
- Adjustable voltage limit option Prefix (LPCVL)
- LED input status indicator standard
- Selectable Input
- Relays approved to the following: UL, CSA, VDE and CE
- Solid State Relay Assemblies Rated to 100A/Pole @ 40° C (100% duty cycle)

OUTPUT SPECIFICATIONS	LPC-90DF3	LPC-690DF3	LPC-125DF3
	FAN OPTION (Add letter of Fan to end of above part #) (EX: LPC-125DF3B - Denotes 3 Phase, 3 Pole, w/120VAC Fan)	B-120VAC Fan	C - 240VAC Fan
Operating Voltage (47-63 Hz)	48-530	48-660	48-530
Load Current Range [Arms]	.04-90	.04-50	.100-100
Transient Overvoltage [Vpk]	1200	1200	1200
Max. Surge Current, (16.6ms) [Apk]	1200	1200	1750
Max. On-State Voltage Drop [Vpk]	1.7	1.7	1.7
Max. Turn-on Time	1/2 cycle	1/2 cycle	1/2 cycle
Max. Turn-off Time	1/2 cycle	1/2 cycle	1/2 cycle
Max. I <sup>2</sup> t for fusing (8.3mS)	6000	6000	12700
Max. Off-State Leakage Current [mArms]	10	5	10
Power Factor (Min.) with Max. Load	0.5	0.5	0.5

## INPUT SPECIFICATIONS

0-10VDC  
 0-5VDC  
 2-10VDC  
 1-5VDC  
 4-20mA  
 0-20mA  
 Potentiometer  
 0-135Ω (Change prefix to: LPC35-)  
 Pulse Width Modulation (Change prefix to: LPCPW-)

### Note:

24VAC Power Supply  
 on same Phase as controller  
 REQUIRED

## OPTIONS:

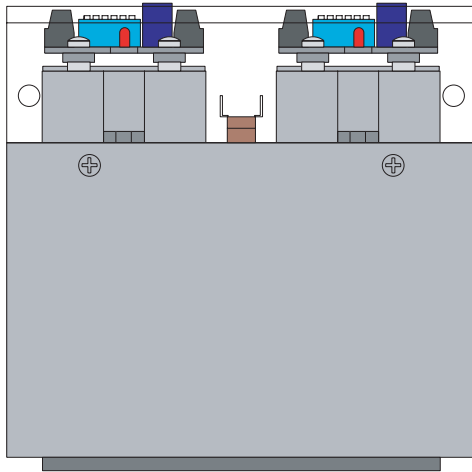
- M MOV - External transient voltage suppression
- P Internal transient voltage suppression
- TP Through panel-mount
- D DIN Clip

## ACCESSORIES

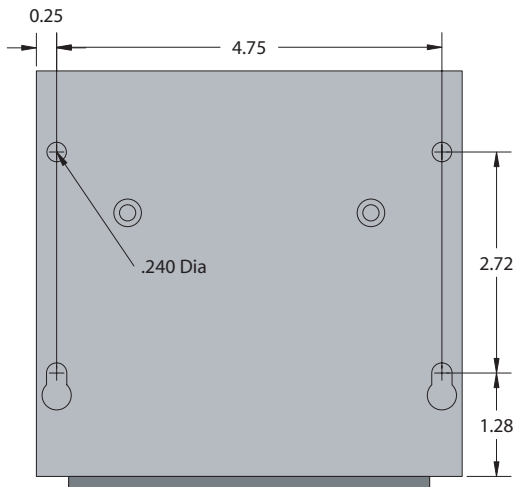
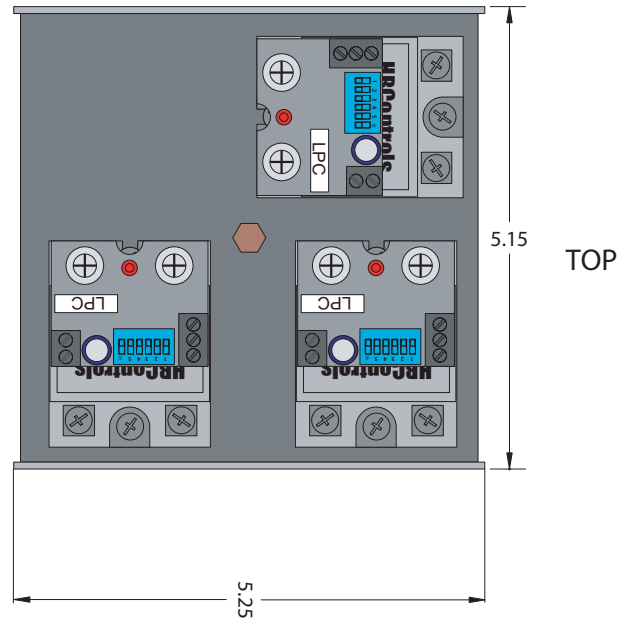
- PS-120 120V to 24V AC power supply (1.5VA)
- PS-240 240V to 24V AC power supply (1.5VA)
- PS-480 480V to 24V AC power supply (1.5VA)

**For 3 Phase version of PS add -3**

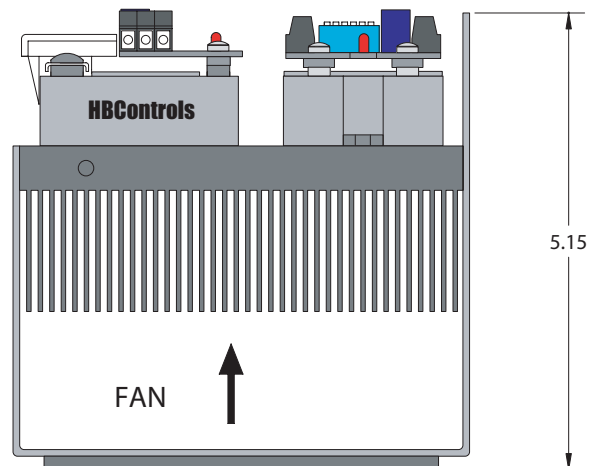
# Phase Angle Control to 100A F Series LPC



FRONT



REAR



SIDE