



### Features:

- New Reduced Heat (RH) Series for more current in a smaller footprint, less heat generated
- Solid State Relay assemblies rated up to 100A @ 40° C (100% duty cycle)
- Zero cross switching standard
- Rated up to 440Hz
- Relays: UL, CSA, VDE, CE
- Integrated finger safe covers standard
- LED input indicator standard
- Stripwire style input and output terminals that can also accept ring terminals.

INPUT SPECIFICATIONS	AC Control					
	HBC-6125WHAA	HBC-6125WHAL	HBC-6125WHAXK	HBC-6125WHAK-2	HBC-6125WHAN	HBC-6125WHAG
	<b>2 Pole/3 Phase</b>					
Control Voltage [Vrms]	90-280	90-280	90-280	90-280	90-280	90-280
Max. Turn-on Voltage [Vrms]	90	90	90	90	90	90
Min. Turn-off Voltage [Vrms]	10	10	10	10	10	10
Max. Turn-on and Turn-off Time [ms]	50	50	50	50	50	50
Typical Input Current	6mA @ 120 Vrms					
INPUT SPECIFICATIONS	DC Control					
	HBC-6125WHDA	HBC-6125WHDL	HBC-6125WHDXK	HBC-6125WHDK-2	HBC-6125WHDN	HBC-6125WHAG
	<b>2 Pole/3 Phase</b>					
Control Voltage [Vdc]	4.0-32	4.0-32	4.0-32	4.0-32	4.0-32	4.0-32
Max. Turn-on Voltage [Vdc]	4.0	4.0	4.0	4.0	4.0	4.0
Min. Turn-off Voltage [Vdc]	1.0	1.0	1.0	1.0	1.0	1.0
Max. Turn-on and Turn-off Time [ms]	8.3	8.3	8.3	8.3	8.3	8.3
Typical Input Current	10mA @ 12Vdc					
OUTPUT SPECIFICATIONS						
Operating Voltage(47-440Hz) [Vrms]	48-660	48-660	48-660	48-660	48-660	48-660
Load Current Range [Arms]	.25-50	.25-60	.25-70	.25-40/Pole	.25-80	.25-100
Transient Overvoltage [Vpk]	1200	1200	1200	1200	1200	1200
Max. Surge Current (16.6ms @50\60Hz) [Apk]	1900\2000	1900\2000	1900\2000	1900\2000	1900\2000	1900\2000
Max. On-State Voltage Drop [Vpk]	1.25	1.25	1.25	1.25	1.25	1.25
Max. I2t for Fusing 50\60Hz (8.3ms)	13165\19994	13165\19994	13165\19994	13165\19994	13165\19994	13165\19994
Max. Off-State Leakage [mArms]	1.0	1.0	1.0	1.0	1.0	1.0
Min. Power Factor with Max. Load	0.5	0.5	0.5	0.5	0.5	0.5

### Options:

- 10 Random turn-on
- 2 3 Phase\ 2 Pole Config.
- 3 3 Phase \ 3 Pole Config.
- E 24VAC Control (AC Control Only)
- CT Current Transducer
- M MOV-External transient voltage suppression
- PM Panel Mount

### Input Options (DC Control only)

- Change HBC prefix to: (ie: HBC-6125WHDA to TP-6125WHDA)
- TP Time proportioning controller (Burst Fire)  
(24Vac or dc power supply required)
- TPLP Time proportioning loop powered controller (Burst Fire)
- LPC Liner phase angle controller



# Finger Safe Power Controller to 100A RH Series



### Features:

- New Reduced Heat (RH) Series for more current in a smaller footprint, less heat generated
  - Solid State Relay assemblies rated to 100A/pole @ 40° C (100% duty cycle)
  - Zero cross switching standard
  - Rated up to 440Hz
  - Relays: UL, CSA, VDE, CE
  - Integrated finger safe covers standard
  - LED input indicator standard
  - Stripwire style input and output terminals that can also accept ring terminals
- (1) Fan options: B - 120VAC Fan, C - 220VAC Fan, I - 24VDC Fan ( Add the letter of the fan to the end of the part number i.e.: HBC-6125AF3B Denotes 3 pole\3 phase, w\120VAC Fan)

INPUT SPECIFICATIONS	DC Control		AC Control	
	HBC-6125WDF2(1)	HBC-6125WDF3(1)	HBC-6125WAF2(1)	HBC-6125WAF(1)
	2 Pole\3 Phase	3 Pole\3 Phase	2 Pole\3 Phase	3 Pole\3 Phase
Control Voltage	4.0-32Vdc	4.0-32Vdc	90-280Vrms	90-280Vrms
Max. Turn-on Voltage [Vrms]	4.0Vdc	4.0Vdc	90Vrms	90Vrms
Min. Turn-off Voltage [Vrms]	1.0Vdc	1.0Vdc	10Vrms	10Vrms
Typical Input Current	10mA @ 12Vdc		6mA @ 120Vrms	
<b>OUTPUT SPECIFICATIONS</b>				
Operating Voltage(47-440Hz) [Vrms]	48-660	48-660	48-660	48-660
Load Current Range [Arms]	.25-100	.25-100	.25-100	.25-100
Transient Overvoltage [Vpk]	1200	1200	1200	1200
Max. Surge Current (16.6ms @50\60Hz) [Apk]	1900\2000	1900\2000	1900\2000	1900\2000
Max. On-State Voltage Drop [Vpk]	1.25	1.25	1.25	1.25
Max. I2t for Fusing 50\60Hz (8.3mS)	13165\19994	13165\19994	13165\19994	13165\19994
Max. Off-State Leakage [mArms]	1.0	1.0	1.0	1.0
Min. Power Factor with Max. Load	0.5	0.5	0.5	0.5

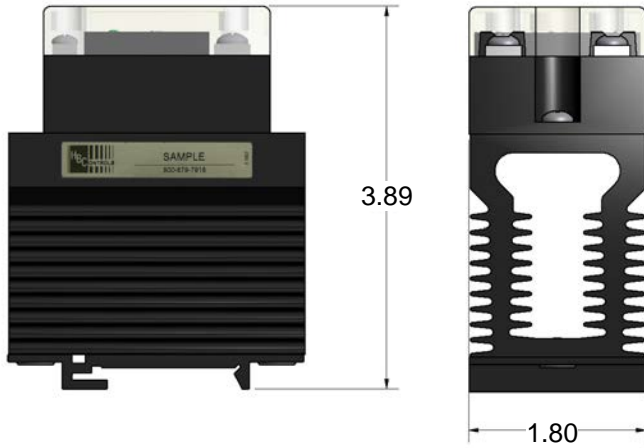
### Options:

- 10 Random turn-on
- 2 3 Phase\ 2 Pole Config.
- 3 3 Phase \ 3 Pole Config.
- E 24VAC Control (AC Control Only)
- CT Current Transducer
- M MOV-External transient voltage suppression
- PM Panel Mount

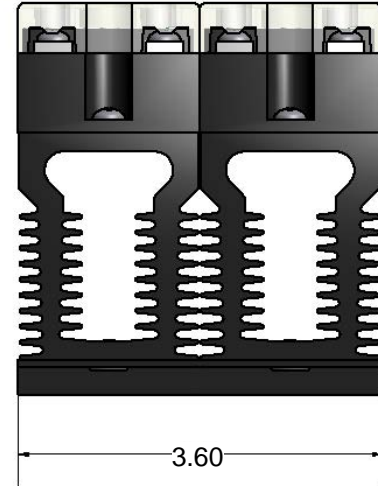
### Input Options (DC Control only):

- Change HBC prefix to: (ie: HBC-6125WHDA to TP-6125WHDA)
- TP Time proportioning controller (Burst Fire)  
(24Vac or dc power supply required)
  - TPLP Time proportioning loop powered controller (Burst Fire)
  - LPC Liner phase angle controller

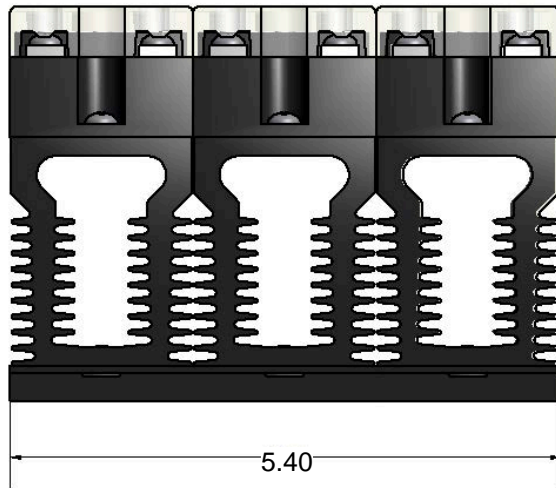
A Series  
(HBC-6125WHDA)



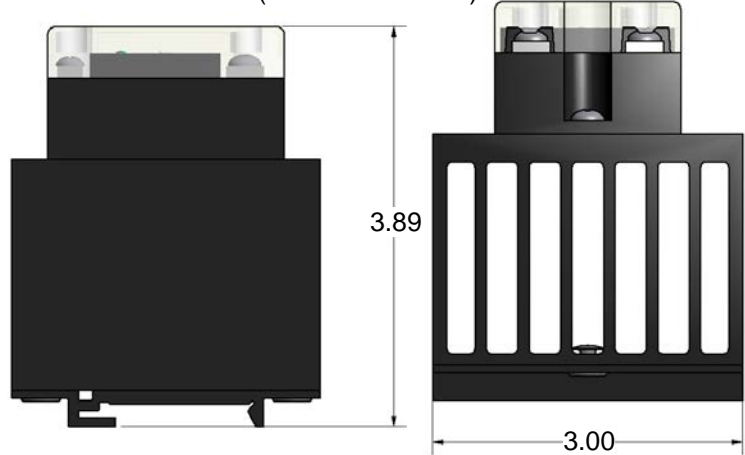
3 Phase/2 Pole  
(-2 Option ie:HBC-6125WHDA-2)



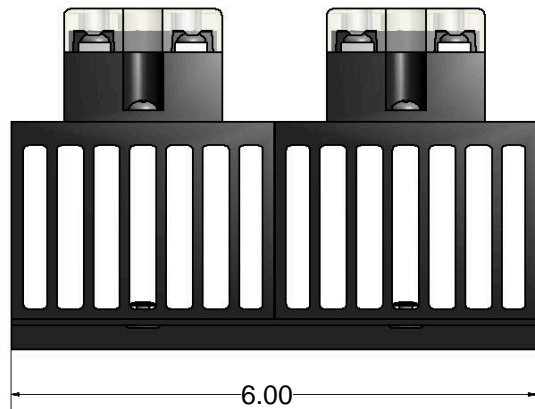
3 Phase/3 pole  
(-3 Option ie:HBC-6125WHDA-3)



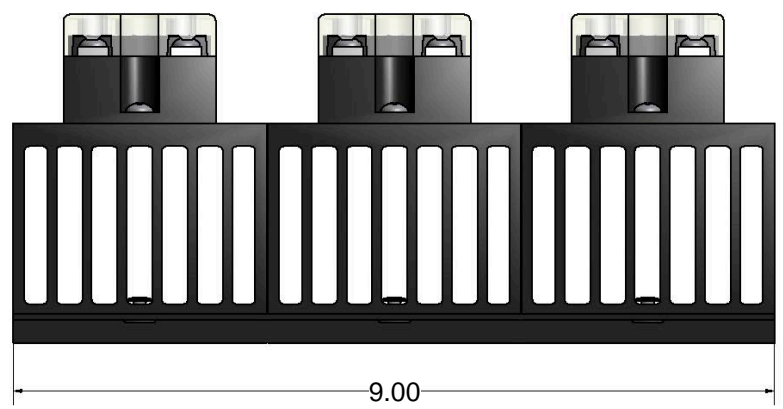
L Series  
(HBC-6125WHDL)

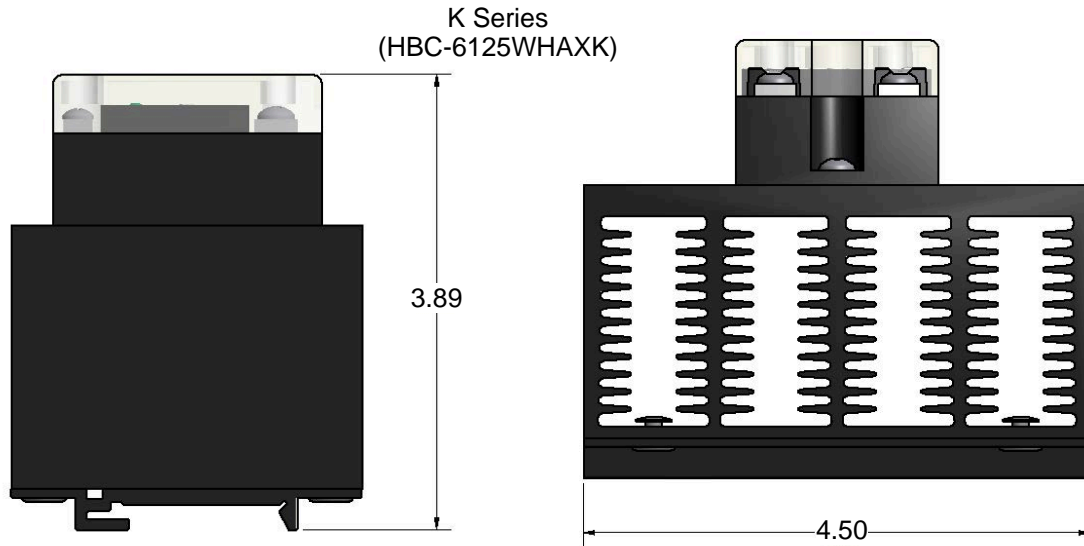


3 Phase/2 Pole  
(-2 Option ie:HBC-6125WHDL-2)

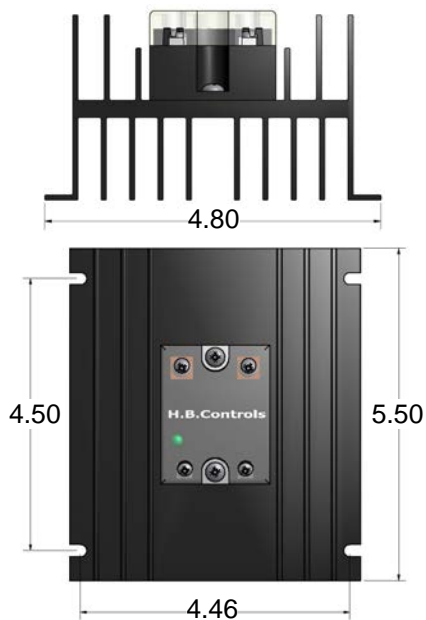
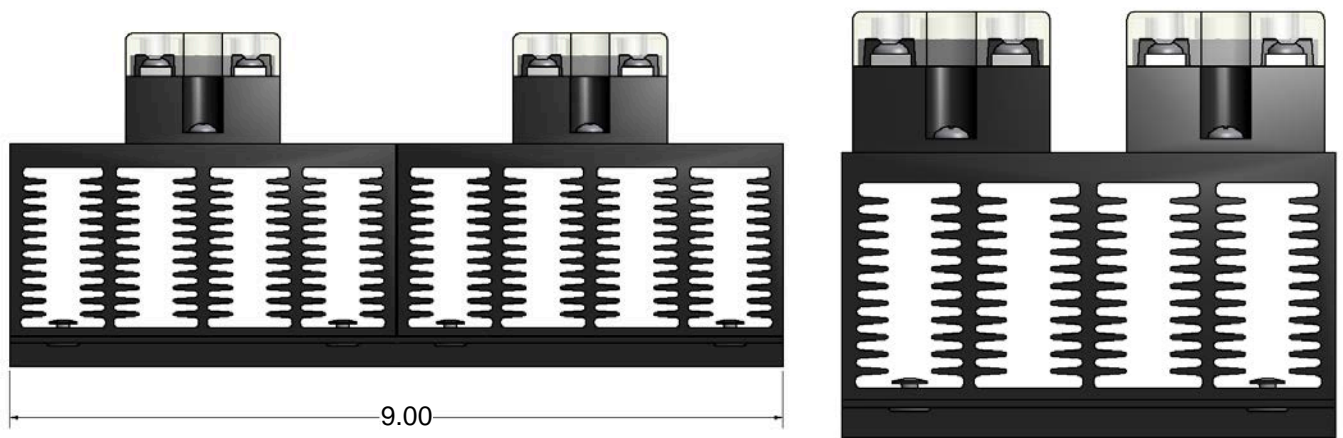


3 Phase/2 Pole  
(-3 Option ie:HBC-6125WHDL-3)

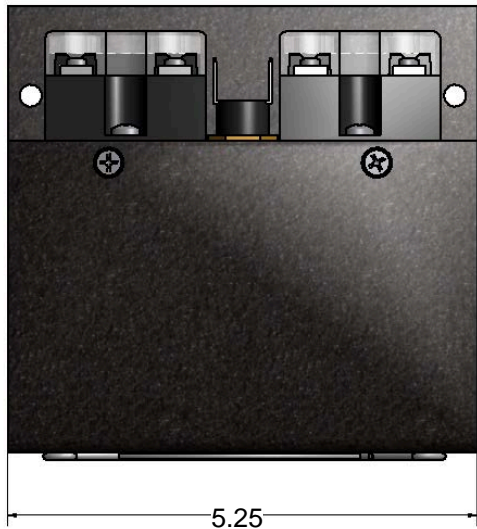
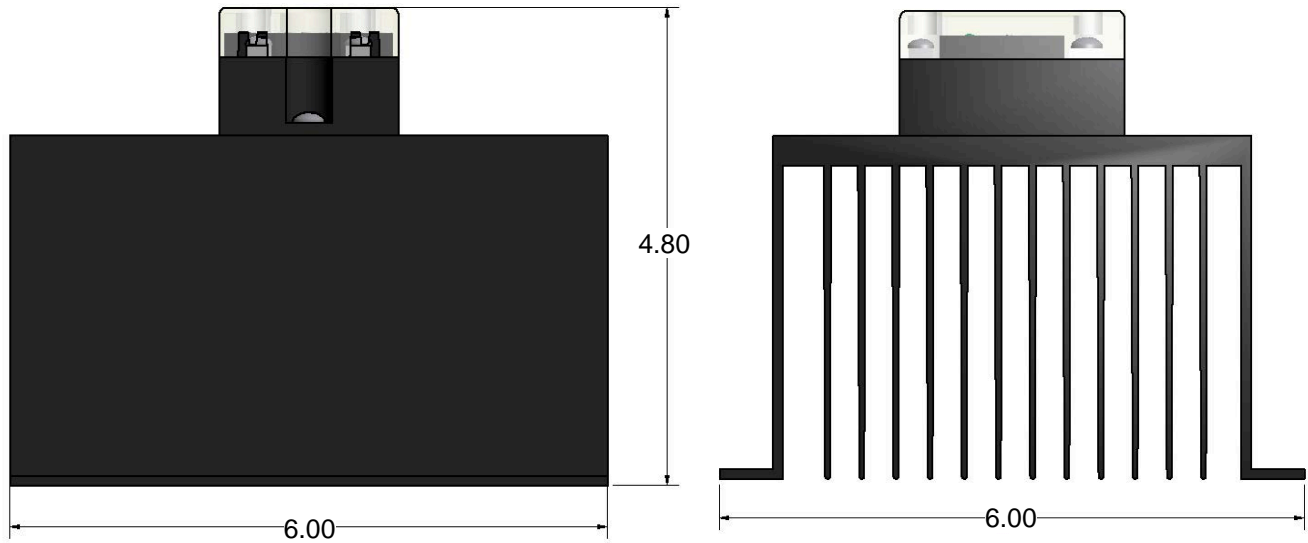




3 Phase/2 Pole  
(-2 Option Left:HBC-6125WHDXK-2, Right:HBC-6125WHDK-2)



G Series  
(HBC-6125WHDG)



F Series  
HBC-6125WDF2I)

