



Time Proportioning Power Control to 100A F Series TP



FEATURES:

- Command input accepts 4-20mA, 0-10V, 0-5V, 0-135Ω, Potentiometer
- Configurable for 4 different cycle times
- Drives multiple solid state relays (SSRs)
- LED output indicator
- Adjustable Power Limit (-PL) Option
- Single phase and three phase control
- Solid State Relay Assemblies rated to 100A/Pole @ 40°C (100% duty cycle)
- Suitable for inductive loads (w -10 option)
- Standard relays approved to the following: UL CE, CSA & VDE
- Panel mount standard

OUTPUT SPECIFICATIONS	TP-90DF2		TP-90DF3		TP-125DF2		TP-125DF3	
	FAN OPTION (Add letter of Fan to end of above part #)				B - 120VAC Fan	C - 240VAC Fan	I - 24VDC Fan	
(EX: TP-125AF2B - Denotes 3 Phase, 2 Pole, w/120VAC Fan)								
	3 Phase / 2 Pole	3 Phase / 3 Pole	3 Phase / 2 Pole	3 Phase / 3 Pole	3 Phase / 2 Pole	3 Phase / 3 Pole	3 Phase / 2 Pole	3 Phase / 3 Pole
Operating Voltage (47-63 Hz) [Vrms]	48-530	48-530	48-530	48-530	48-530	48-530	48-530	48-530
Load Current Range [Arms]	.04-80	.04-80	.04-100	.04-100	.04-100	.04-100	.04-100	.04-100
Transient Overvoltage [Vpk]	1200	1200	1200	1200	1200	1200	1200	1200
Max. Surge Current, (16.6ms) [Apk]	1200	1200	1750	1750	1750	1750	1750	1750
Max. On-State Voltage Drop [Vpk]	1.7	1.7	1.7	1.7	1.7	1.7	1.7	1.7
Max. Turn-on Time	1/2 cycle	1/2 cycle	1/2 cycle	1/2 cycle	1/2 cycle	1/2 cycle	1/2 cycle	1/2 cycle
Max. Turn-off Time	1/2 cycle	1/2 cycle	1/2 cycle	1/2 cycle	1/2 cycle	1/2 cycle	1/2 cycle	1/2 cycle
Max. I ² t for fusing (8.3mS)	12700	12700	12700	12700	12700	12700	12700	12700
Max. Off-State Leakage Current [mArms]	10	10	10	10	10	10	10	10
Power Factor (Min.) with Max. Load	0.5	0.5	0.5	0.5	0.5	0.5	0.5	0.5

INPUT SPECIFICATIONS:

0-10VDC
 0-5VDC
 2-10VDC
 1-5VDC
 4-20mA
 0-20mA
 Potentiometer
 0-135Ω (TP135-90DF2B)

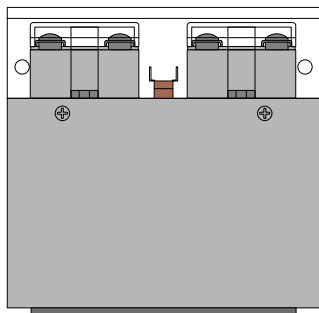
OPTIONS:

- 10 Random turn-on
- WH Wiring harness for multi-pole configurations
- M MOV - External ransient voltage suppression
- P Internal transient voltage suppression
- D DIN Clip
- CT Current Transducer

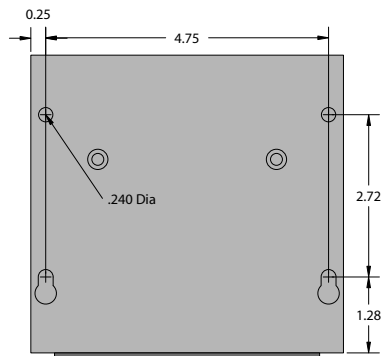
ACCESSORIES

- PS-120 120V to 24V AC power supply (1.5VA)
- PS-240 240V to 24V AC power supply (1.5VA)
- PS-480 480V to 24V AC power supply (1.5VA)

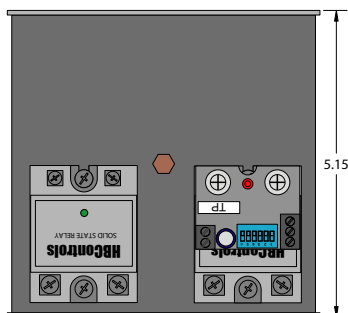
Time Proportioning Power Control to 100A F Series TP



FRONT

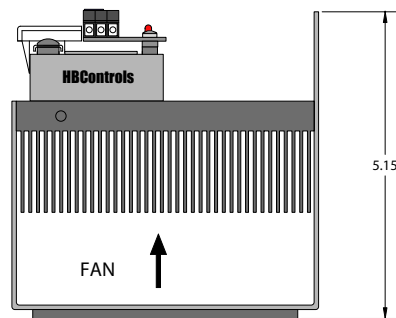


REAR

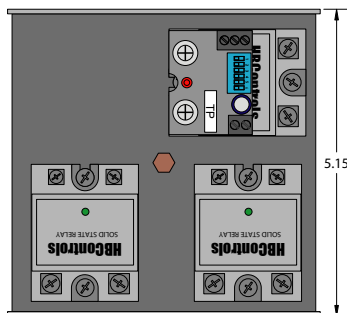


TOP

3 Phase /
2 Pole
Ex: TP-90DF2B

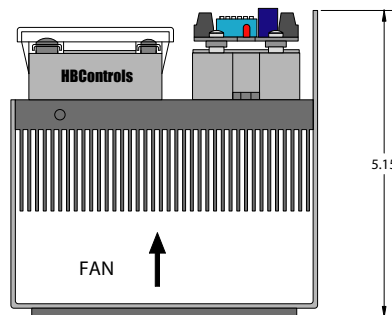


SIDE



TOP

3 Phase /
3 Pole
Ex: TP-90DF3B



SIDE