



## ASO Series



'ASO' Low-Current Sensors from NK Technologies are specialized current operated switches which combine an ultra-sensitive current transformer and signal conditioning electronics into a single package for sensing AC current from 3-350mA. Useful for signal or lamp status monitoring, detecting minute fault currents or fan proving, the ASO features solid-state outputs and jumper-selectable ranges, which make it a versatile choice for low-current status indicating applications.

### Ultra Low Current Operated Switches



#### Applications

##### Fan Monitoring

- Fan status in heating and drying applications.
- Identify lamp outages or other malfunctions through changes in current consumption.

##### Fractional HP Motors

Ideal for monitoring small motors used in critical applications; for example, fan-proving on a crucial cooling fan.

##### Fault Current Sensing

Detects extremely low levels of current resulting from fault conditions.

#### Features

##### Wide Range of Output Options

- Dependable, solid state switch N.O. or N.C. contacts rated at 240VAC or 30VDC.
- Compatible with most standard automation controllers.

##### Isolated Inputs and Outputs

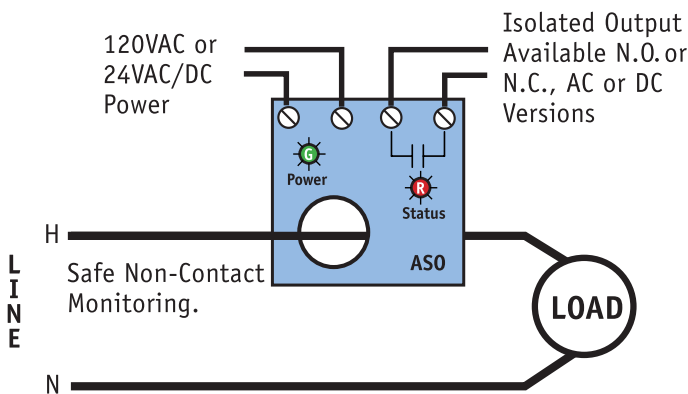
- Inductive sensing eliminates insertion loads on monitored circuit, effectively isolating it from unit.
- Isolated Outputs simplify wiring and enhance safety.

##### Adjustable Setpoints

Setpoints are field adjustable from 3mA to 350mA, speeding installation and allowing for tailored applications.

##### UL, CUL and CE Approval

Accepted worldwide.



### Ultra Low Current Operated Switches

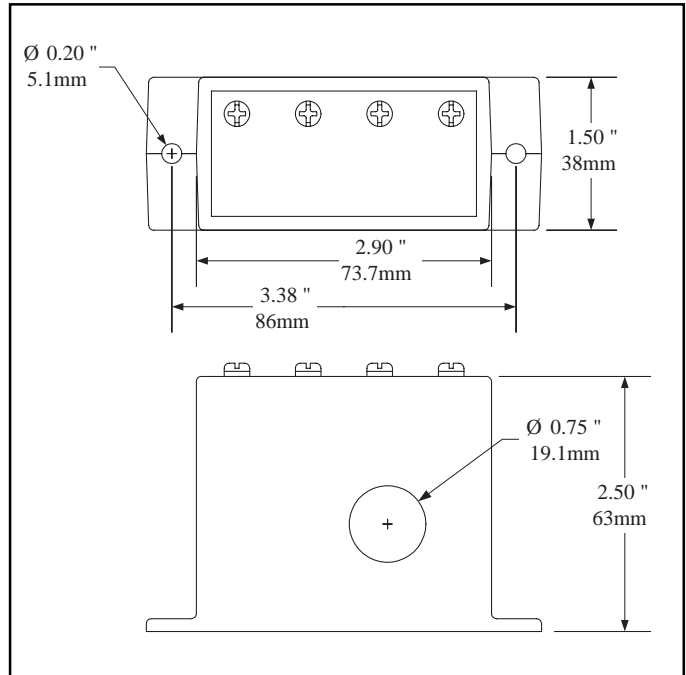
## ASO Series

Know your power...  
because with knowledge comes control.

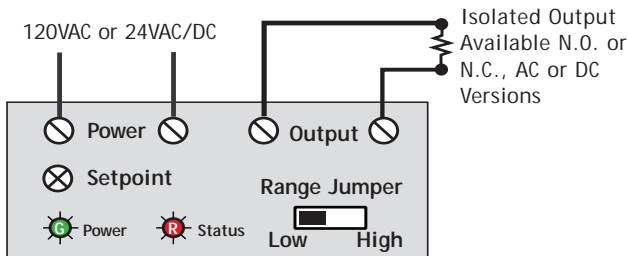
## Specifications

<b>Power Supply</b>	Operates from +/- 20% of nominal voltage
<b>Nominal Voltages</b>	120 VAC (50-400Hz) or 24 VAC/DC
<b>Power Consumption</b>	2.5 Watts
<b>Output Rating</b>	<ul style="list-style-type: none"> <li>■ AC Version: 1A @ 240VAC</li> <li>■ DC Version: 0.15A @ 30VDC</li> </ul>
<b>Response Time</b>	<ul style="list-style-type: none"> <li>■ 150 ms @ 5% above setpoint</li> <li>■ 100 ms @ 50% above setpoint</li> </ul>
<b>Setpoint Ranges</b>	<ul style="list-style-type: none"> <li>■ Low Range: 3-15mA Field Adjustable</li> <li>■ High Range: 15-350mA Field Adjustable (Custom ranges available, consult factory)</li> </ul>
<b>Maximum Input</b>	10A
<b>Isolation Voltage</b>	600VAC (Monitored Circuit)
<b>Frequency Range</b>	50-400Hz (Monitored Circuit)
<b>Case</b>	UL 94V-0 Flammability Rated
<b>Environmental</b>	5 to 158°F (-15 to 70°C), 0-95% RH, non-condensing
<b>Listings*</b>	UL Listed, CSA Approved, CE Certified

\*24VAC/DC configurations are not UL508 listed.



## Connections



### Notes:

- Terminals are #6 screws.
- Use up to 14AWG solid or stranded.
- Power connections are not polarity sensitive.
- DC Output connections are polarity sensitive.

## Ordering Information

### Example: ASO-NODC-120

Ultra Low Current Sensor, normally open solid state  
DC output & 120VAC power supply.

ASO	—		—	
		<b>Output Type</b>		<b>Power Supply</b>
		NCAC Normally Closed, 1A @ 240VAC		24U 24VAC/DC
		NOAC Normally Open, 1A @ 240VAC		120 120VAC
		NCDC Normally Closed, 0.15A @ 30VDC		
		NODC Normally Open, 0.15A @ 30VDC		

Ultra Low Current Operated Switches

ASO Series