

CURRENT TRANSFORMER

Model 126

Window Diameter 8.25"

APPLICATION:
Metering.

FREQUENCY:
50-400 Hz.

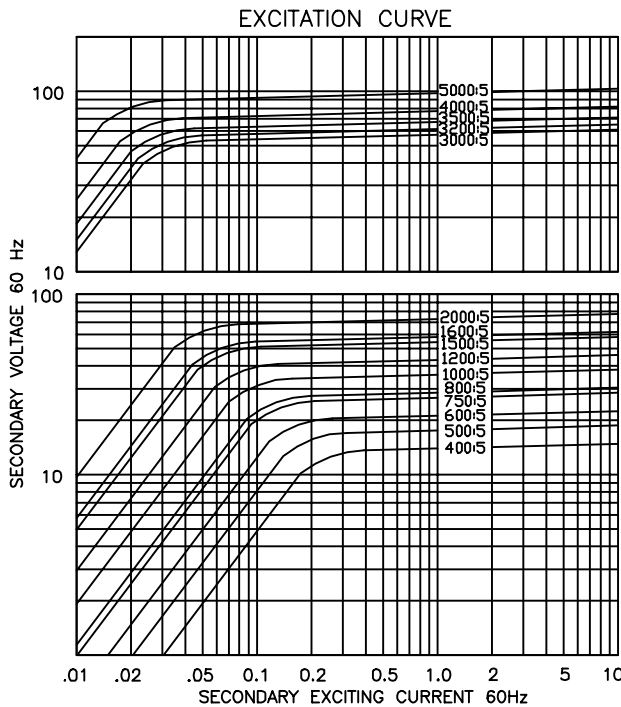
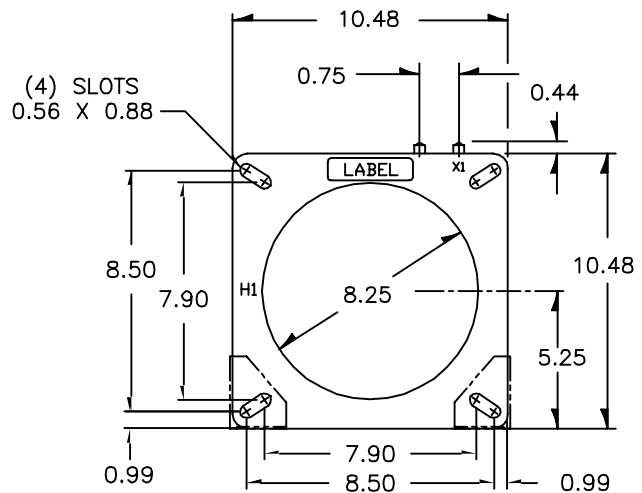
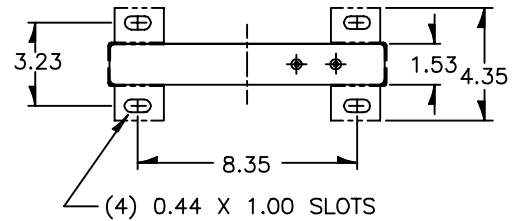
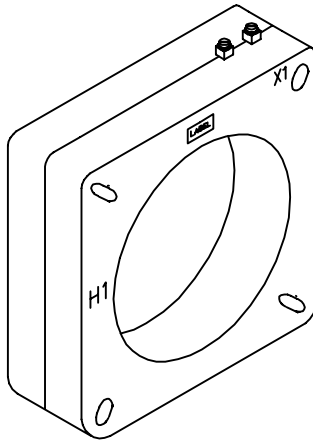
INSULATION LEVEL:
600 Volts, 10 kV BIL full wave.

REGULATORY AGENCY APPROVALS



Manufactured to meet the requirements of ANSI/IEEE C57.13.
Classified by U.L. in accordance with IEC 44-1

- Terminals are brass screws No. 10-32 UNC with one flatwasher and lockwasher.
- Order mounting bracket kit 0221B01529 separately.
- Multi-ratios available on request.
- Approximate weight 5.5 lbs.



CATALOG NUMBER	CURRENT RATIO	VA FOR ± 1% CLASS	ANSI METERING CLASS AT 60 Hz					SECONDARY WINDING RESISTANCE (OHMS @ 75 °C)	CONTINUOUS THERMAL RATING FACTOR	
			B0.1	B0.2	B0.5	B0.9	B1.8		@30°C	@55°C
126-401	400:5	4.0	0.6	1.2	1.2	2.4	4.8	0.116	2.0	2.0
126-501	500:5	7.5	0.6	0.6	1.2	1.2	2.4	0.145	2.0	2.0
126-601	600:5	10.0	0.6	0.6	0.6	1.2	2.4	0.173	2.0	2.0
126-751	750:5	15.0	0.3	0.3	0.6	0.6	1.2	0.217	2.0	1.5
126-801	800:5	20.0	0.3	0.3	0.6	0.6	1.2	0.231	2.0	1.5
126-102	1000:5	25.0	0.3	0.3	0.3	0.6	0.6	0.289	2.0	1.5
126-122	1200:5	40.0	0.3	0.3	0.3	0.3	0.3	0.347	1.5	1.33
126-152	1500:5	50.0	0.3	0.3	0.3	0.3	0.3	0.434	1.5	1.0
126-162	1600:5	50.0	0.3	0.3	0.3	0.3	0.3	0.462	1.5	1.0
126-202	2000:5	60.0	0.3	0.3	0.3	0.3	0.3	0.578	1.33	1.0
126-252	2500:5	75.0	0.3	0.3	0.3	0.3	0.3	0.904	1.0	0.8
126-302	3000:5	90.0	0.3	0.3	0.3	0.3	0.3	0.722	1.33	1.0
126-322	3200:5	95.0	0.3	0.3	0.3	0.3	0.3	0.770	1.33	1.0
126-352	3500:5	100.0	0.3	0.3	0.3	0.3	0.3	0.842	1.0	0.8
126-402	4000:5	125.0	0.3	0.3	0.3	0.3	0.3	0.962	1.0	0.8
126-502	5000:5	140.0	0.3	0.3	0.3	0.3	0.3	1.203	1.0	0.8