

# CURRENT TRANSFORMER

Model 3P18

Window Diameter 1.19"

**APPLICATION:**  
3 phase metering and other switchboard applications.

**FREQUENCY:**  
50-400 Hz.

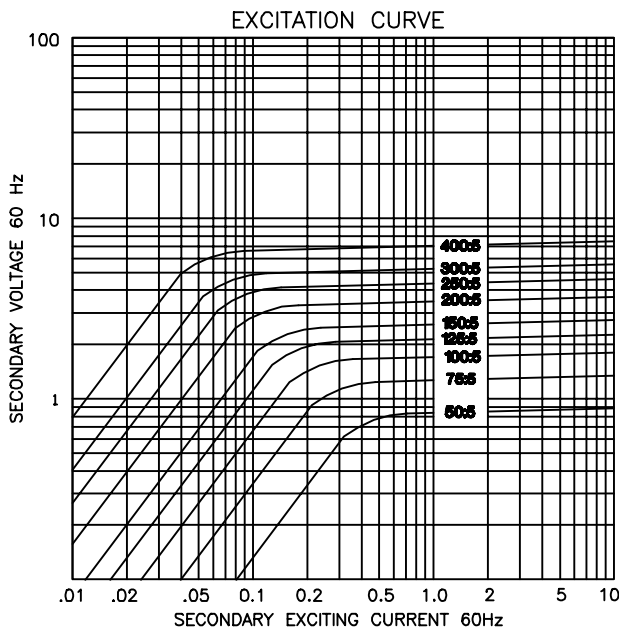
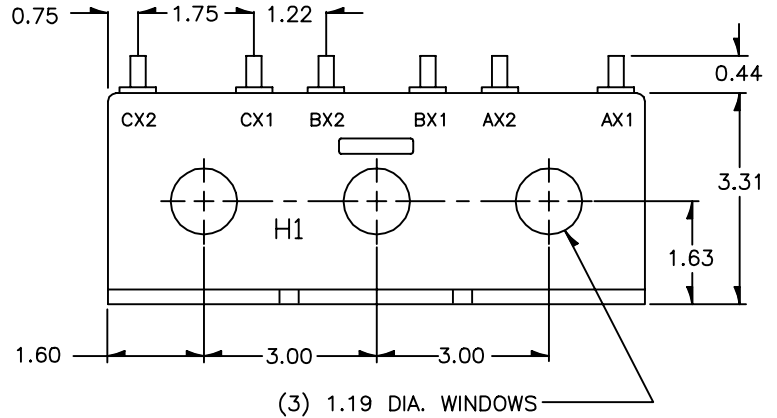
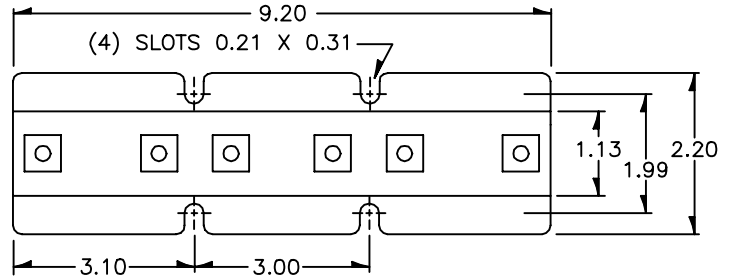
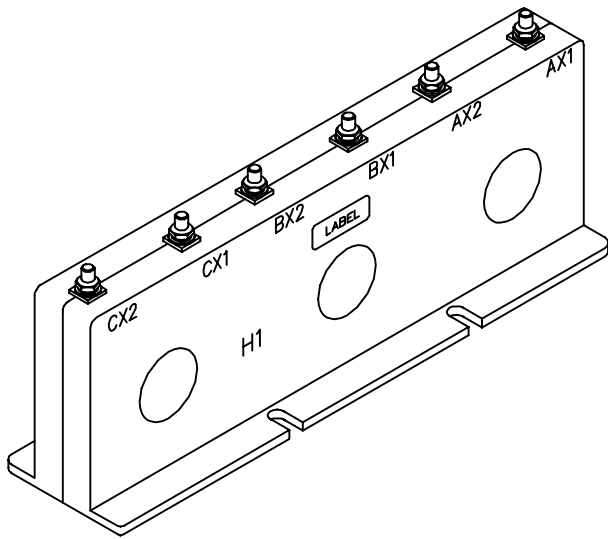
**INSULATION LEVEL:**  
600 Volt, 10 kV BIL full wave.

REGULATORY AGENCY APPROVALS



Manufactured to meet the requirements of ANSI/IEEE C57.13.  
Classified by U.L. in accordance with IEC 44-1

- Terminals are brass studs No.8-32 with one flatwasher, lockwasher and regular nut.
- Transformers can be ordered with secondary leads configured in various ways (consult factory).
- Approximate weight 4.0 lbs.



CATALOG NUMBER	CURRENT RATIO	VA FOR 1% CLASS	ANSI METERING CLASS AT 60 Hz					SECONDARY WINDING RESISTANCE (OHMS @ 75°C.)
			B0.1	B0.2	B0.5	B0.9	B1.8	
3P18-500	50:5	1	-	-	-	-	-	0.007
3P18-750	75:5	1.5	-	-	-	-	-	0.010
3P18-101	100:5	2.5	4.8	-	-	-	-	0.014
3P18-1250	125:5	3.5	2.4	4.8	-	-	-	0.018
3P18-151	150:5	5	1.2	2.4	-	-	-	0.021
3P18-201	200:5	7.5	0.6	1.2	2.4	4.8	-	0.028
3P18-251	250:5	10	0.6	1.2	2.4	2.4	-	0.035
3P18-301	300:5	12.5	0.6	0.6	1.2	2.4	-	0.043
3P18-401	400:5	15	0.3	0.6	1.2	1.2	2.4	0.057