

3 PHASE VOLTAGE TRANSFORMER

Model 3VTL460
For line to line connection

FREQUENCY:
60 Hz

**STANDARD
SECONDARY VOLTAGE:**
120 Volts Line-to-Line.

INSULATION LEVEL:
600 Volt, 10 kV BIL full wave.

ACCURACY CLASS: (Per Phase)
0.6 W, 1.2 X AT 60 Hz.

THERMAL RATING: (Per Phase)
150 VA at 30°C. amb.,
100 VA at 55°C. amb.

REGULATORY AGENCY APPROVALS

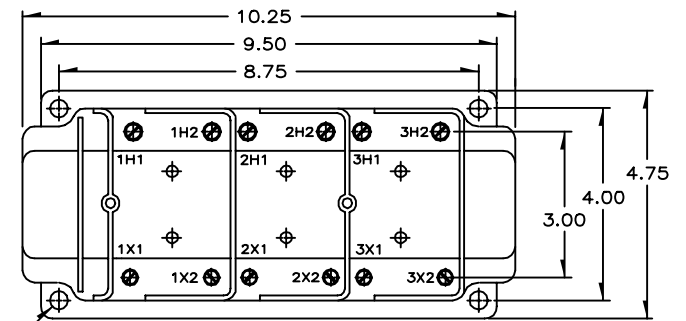
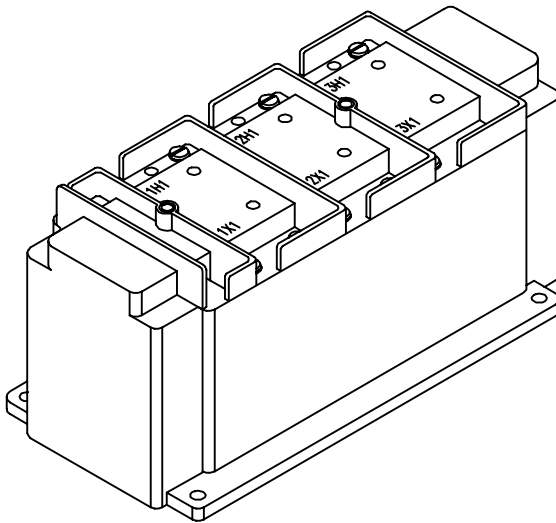


Manufactured to meet the requirements of ANSI C57.13.
Classified by U.L. in accordance with IEC 44-2

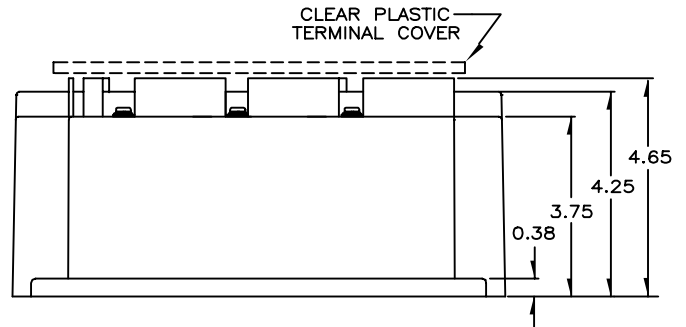
- The model 3VTL460 is an assembly of three transformers in one case.
- The primary and secondary terminals are No. 8-32 screws into 1/2" deep brass inserts and fitted with one lockwasher and flatwasher.
- The core and coil assembly is encased in a thermoplastic shell and filled with resin.

- These transformers are designed for operation line to line. All terminals are accessible.
- Spacing between live parts per U.L. 1558.
- The transformer has a clear plastic terminal cover.

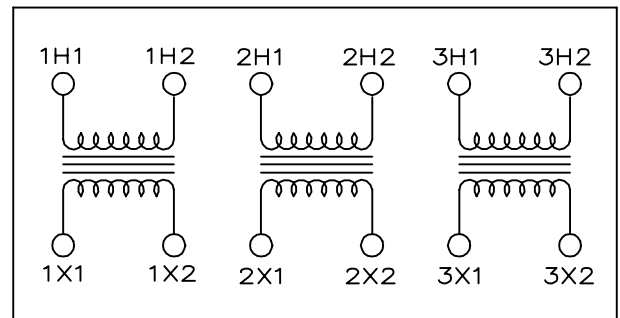
- See page 8 of this section for a circle diagram for the estimation of the errors for other than rated burdens. See page 20 in this section for a description of its use.
- Approximate weight: 24 lbs.



(4) MOUNTING HOLES
0.27 DIA



CATALOG NUMBERS	LINE TO LINE VOLTAGE RATING	TURNS RATIO	REC. PRIMARY FUSE RATING
3VTL460-120	120:120	1:1	4.0
3VTL460-208	208:120	1.73:1	2.0
3VTL460-240	240:120	2:1	2.0
3VTL460-288	288:120	2.4:1	1.5
3VTL460-480	480:120	4:1	1.0
3VTL460-600	600:120	5:1	0.75



CONNECTION DIAGRAM