

INDOOR VOLTAGE TRANSFORMER

Models **PTG3-1-60**
PTG3-2-60

ACCURACY CLASS:
0.3 WXY, 1.2Z at 100% rated voltage with 120V based ANSI burden.
0.3 WX, 0.6 M, 1.2 Y at 58% rated voltage with 69.3V based ANSI burden.

FREQUENCY:
60 Hz.

MAXIMUM SYSTEM VOLTAGE:
5.6kV, BIL 60kV full wave.

THERMAL RATING:
750 VA at 30°C. amb.
500 VA at 55°C. amb.

WEIGHT:
Approximately 34 lbs., unfused.

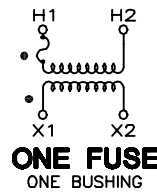
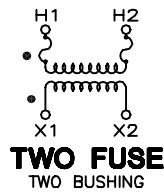
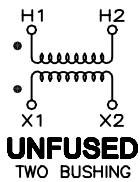
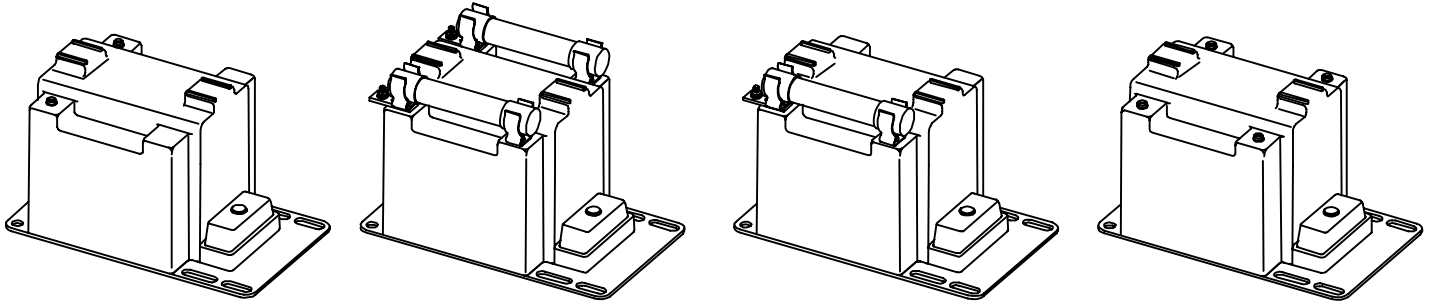
REGULATORY AGENCY APPROVALS

 **E145172**  **LR89403**

Manufactured to meet the requirements of ANSI/IEEE C57.13.
Classified by U.L. in accordance with IEC 44-2

- Primary terminals that are unfused are 1/4-20 brass screws with one flatwasher and lockwasher.
- Primary terminals that are fused are 1/4-20 brass screws with one flatwasher and lockwasher and two nuts.
- Secondary terminals are No.10-32 brass screws with one flatwasher and lockwasher.
- The transformers are tested for partial discharge to Canadian Standards CAN 3-C13-M83. This test can also be carried out to IEC requirements if requested.
- The core and coil assembly is encased in a plastic enclosure and vacuum encapsulated in polyurethane resin.
- Thermal burden rating is for 120 volt secondaries.
- Plated steel mounting base.
- Fuses have 1" Dia Caps and 5" clip centers.
- Switchgear style is similar to fused style. No fuse or fuse clip is provided, but inserts for fuse clips are supplied.

NOTE: All primary voltages marked with an asterisk (*) are approved for revenue metering in Canada by Industry Canada, Approval No.T-215 Rev. 02



GROUP	TWO BUSHING (a)			CATALOG NUMBERS			
	PRIMARY VOLTAGE	RATIO	SECONDARY VOLTAGE	UNFUSED	FUSES	FUSE CLIPS ONLY (d)	SWITCHGEAR STYLE
1	*2400	20:1	120	PTG3-2-60-242	PTG3-2-60-242FF	PTG3-2-60-242CCSorCCL	PTG3-2-60-242SS
2	3300	30:1	110-50Hz	PTG3-2-60-332	PTG3-2-60-332FF	PTG3-2-60-332CCSorCCL	PTG3-2-60-332SS
2	*4200	35:1	120	PTG3-2-60-422	PTG3-2-60-422FF	PTG3-2-60-422CCSorCCL	PTG3-2-60-422SS
2	*4800	40:1	120	PTG3-2-60-482	PTG3-2-60-482FF	PTG3-2-60-482CCSorCCL	PTG3-2-60-482SS

GROUP	ONE BUSHING (b)			R _{FR} (c)	CATALOG NUMBERS		
	PRIMARY VOLTAGE	RATIO	SECONDARY VOLTAGE		FUSES	FUSE CLIPS ONLY (d)	SWITCHGEAR STYLE
4A	*2400	20:1	120	230	PTG3-1-60-242F	PTG3-1-60-242CSorCL	PTG3-1-60-242S
4B	*4200	35:1	120	230	PTG3-1-60-422F	PTG3-1-60-422CSorCL	PTG3-1-60-422S
4B	*4800	40:1	120	230	PTG3-1-60-482F	PTG3-1-60-482CSorCL	PTG3-1-60-482S

(a) Two fuse transformers should not be used for Y connections. It is preferred practice to connect one lead from each voltage transformer directly to the neutral terminal, using a fuse in the line side of the primary only. By using this connection a transformer can never be made "live" from the line side by reason of a blown fuse in the neutral side. For continuous operation the transformer primary voltage should not exceed 110% of rated value.

(b) Voltage transformers connected line-to-ground cannot be considered to be grounding transformers and must not be operated with the secondaries in closed delta because excessive currents may flow in the delta.

(c) See page 4, item 2 for ferroresonance considerations. Values in table are in ohms.

(d) Fuse clips noted as "CCS" or "CS" accept fuses with 1" Dia. caps and 5" clip centers. Fuse clips noted as "CCL" or "CL" accept fuses with 1.63" Dia. caps and 5.88" clip centers.

NOTE: It is recommended the system line-to-line voltage not exceed the transformer maximum system voltage level.