

INDOOR VOLTAGE TRANSFORMER

Models **PTG4-1-75**
PTG4-2-75

ACCURACY CLASS:
0.3 WXYZ, 1.2ZZ at 100% rated voltage with 120V based ANSI burden.
0.3 WXY, 1.2Z at 58% rated voltage with 69.3V based ANSI burden.

FREQUENCY:
60 Hz.

MAXIMUM SYSTEM VOLTAGE:
9.52kV, BIL 75kV full wave.

THERMAL RATING:
1500 VA at 30°C. amb.
1000 VA at 55°C. amb.

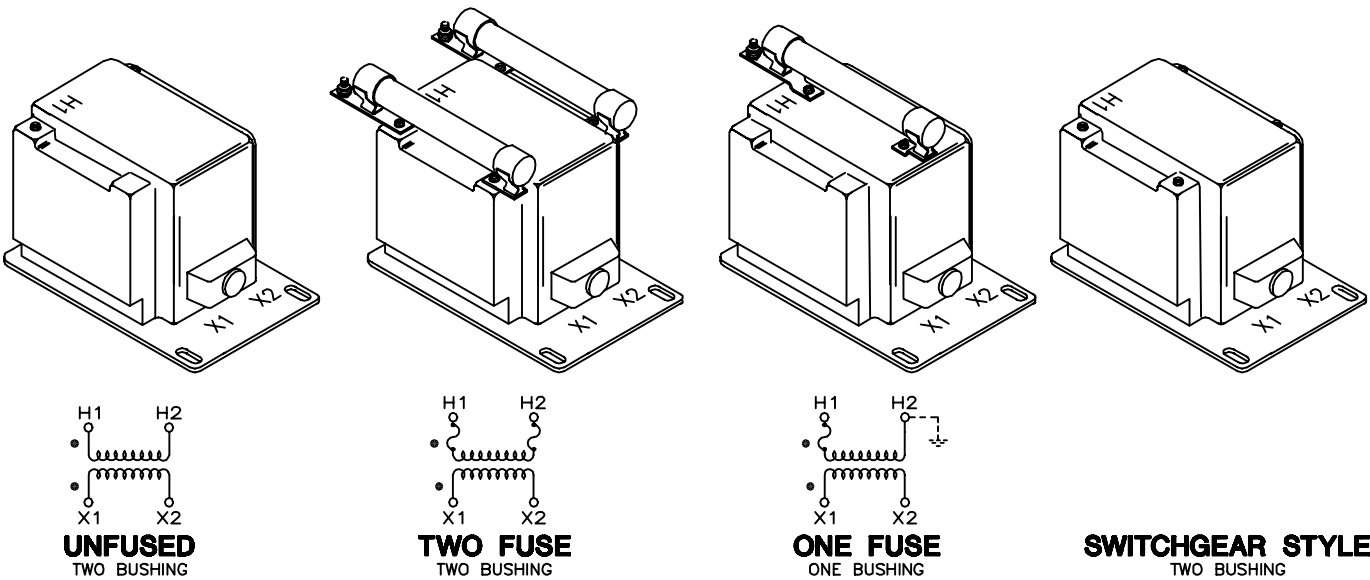
WEIGHT:
Approximately 85 lbs. unfused.

REGULATORY AGENCY APPROVALS



- Primary terminals that are unfused are 1/4–20 brass screws with one lockwasher and flatwasher.
- Primary terminals that are fused are 1/4–20 brass screws with one flatwasher, lockwasher and two nuts.
- Secondary terminals are No.10–32 brass screws with one flatwasher and lockwasher.
- The transformers are tested for partial discharge to Canadian Standards CAN 3–C13–M83. This test can also be carried out to IEC requirements if requested.
- The core and coil assembly is vacuum encapsulated in polyurethane resin.
- Thermal burden rating is for 120 volt secondaries.
- Plated steel mounting base.
- Fuses have 1.63" Dia Caps and 11.50" clip centers.
- Switchgear style is similar to fused style. No fuse or fuse clip is provided, but inserts for fuse clips are supplied.
- A test card is provided with each unit.

NOTE: All primary voltages marked with an asterisk (*) are approved for revenue metering in Canada by Industry Canada, Approval No. AE–0429



TWO BUSHING (a)				CATALOG NUMBERS			
GROUP	PRIMARY VOLTAGE	RATIO	SECONDARY VOLTAGE	UNFUSED	FUSES	FUSE CLIPS ONLY	SWITCHGEAR STYLE
1	*4200	35:1	120	PTG4-2-75-422	PTG4-2-75-422FF	PTG4-2-75-422CC	PTG4-2-75-422SS
1	*4800	40:1	120	PTG4-2-75-482	PTG4-2-75-482FF	PTG4-2-75-482CC	PTG4-2-75-482SS
2	6600	60:1	110–50Hz	PTG4-2-75-662	PTG4-2-75-662FF	PTG4-2-75-662CC	PTG4-2-75-662SS
2	*7200	60:1	120	PTG4-2-75-722	PTG4-2-75-722FF	PTG4-2-75-722CC	PTG4-2-75-722SS
2	8400	70:1	120	PTG4-2-75-842	PTG4-2-75-842FF	PTG4-2-75-842CC	PTG4-2-75-842SS

GROUP	ONE BUSHING (b)			R _{FR} (c)	CATALOG NUMBERS		
	PRIMARY VOLTAGE	RATIO	SECONDARY VOLTAGE		FUSES	FUSE CLIPS ONLY	SWITCHGEAR STYLE
4A	*4200	35:1	120	65	PTG4-1-75-422F	PTG4-1-75-422C	PTG4-1-75-422S
4A	*4800	40:1	120	65	PTG4-1-75-482F	PTG4-1-75-482C	PTG4-1-75-482S
4B	6600	60:1	110–50Hz	65	PTG4-1-75-662F	PTG4-1-75-662C	PTG4-1-75-662S
4B	*7200	60:1	120	65	PTG4-1-75-722F	PTG4-1-75-722C	PTG4-1-75-722S
4B	8400	70:1	120	65	PTG4-1-75-842F	PTG4-1-75-842C	PTG4-1-75-842S

(a) Two fuse transformers should not be used for Y connections. It is preferred practice to connect one lead from each voltage transformer directly to the neutral terminal, using a fuse in the line side of the primary only. By using this connection a transformer can never be made "live" from the line side by reason of a blown fuse in the neutral side. For continuous operation the transformer primary voltage should not exceed 110% of rated value.

(b) Voltage transformers connected line-to-ground cannot be considered to be grounding transformers and must not be operated with the secondaries in closed delta because excessive currents may flow in the delta.

(c) See page 4, item 2 for ferroresonance considerations. Values in table are in ohms.

NOTE: It is recommended the system line-to-line voltage not exceed the transformer maximum system voltage level.